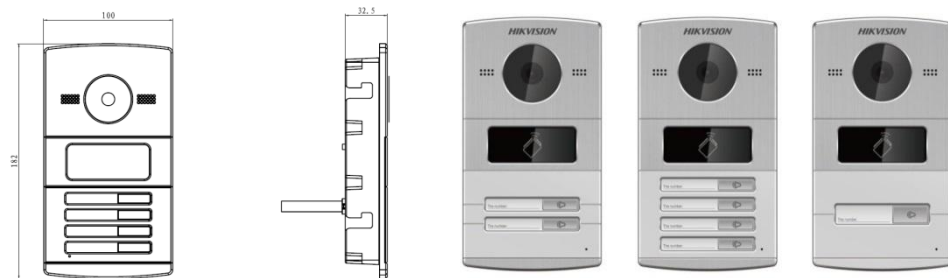


# DS-KV8X02-IM

## Metal Villa Door Station



### AVAILABLE MODELS

DS-KV8102-IM

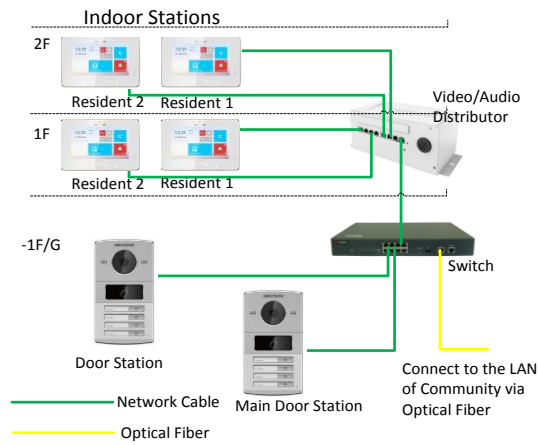
DS-KV8202-IM

DS-KV8402-IM

### MAIN FEATURES

- Video intercom function
- HD video surveillance (Max. resolution 1280×720@25fps, WDR, 120° wide angle)
- Self-adaptive light supplement
- Access control function
- Activating card via local station function (This function will be invalid if the card has been activated via iVMS-4200)
- Auto-uploading captured pictures to FTP or iVMS-4200 Client while unlocking the door
- Door magnetic alarm and tamper-proof alarm function
- Noise suppression and echo cancellation
- Remote upgrade, batch setting functions

## TYPICAL APPLICATION



## SPECIFICATION

Model		DS-KV8102-IM	DS-KV8202-IM	DS-KV8402-IM
<b>Parameters</b>				
<b>System Parameters</b>	Processor	High-Performance Embedded SOC Processor		
	Operation System	Embedded Linux OS		
<b>Video Parameters</b>	Camera	CMOS Low Illumination 1.3 MP HD Colorful Camera		
	Video Compression Standards	H.264		
	Resolution	1280 × 720		
	Video Frame	25 fps		
<b>Audio Parameters</b>	Audio Input	Built-in Omnidirectional Microphone		
	Audio Output	Built-in Loudspeaker		
	Audio Compression Standard	G.711 U		
	Audio Compression Rate	64 Kbps		
	Audio Quality	Noise Suppression and Echo Cancellation		
<b>Access Control Parameters</b>	Internal Card Reader	Built-in IC Card Reader		
	Door Button	Door Button for Opening the Door		
	NO/NC	Supports NO/NC Status Settings		
	Door Magnetic Detection	Detects Door Magnetic Status		

Model		DS-KV8102-IM	DS-KV8202-IM	DS-KV8402-IM
Parameters				
Light Supplement	Light Supplement Mode	IR Supplement		
	Network Parameters	10M/100M Self-Adaptive Ethernet		
Alarm Parameters	Alarm Input	Door Magnetic Alarm; Tampering Alarm		
	Device Interfaces	Internet Access		
Other Parameters	Internet Access	1 RJ45 10M/100M Self-Adaptive Ethernet Access		
	RS485	1 RS485 Half-Duplex Port		
	I/O Input	4		
	I/O Output	1		
Other Parameters	Indoor Station Access Number	1	2	4
	Material	Aluminum ally		
	Power Supply	Power Over Network Cable (DS-KAD606, DS-KAD612)/12 VDC		
	Consumption	≤10 W		
	Working Temperature	- 40° C to + 70°C (-40° F to 158° F)		
	Working Humidity	10% - 90%		
	IP Protection Level	IP65		
	Dimension	182 mm × 100 mm × 32.5 mm (7.17 × 3.94 × 1.28")		
Certification	FCC, CE			